



# CAPSULE

## BSW-DC-IC-18



**Lamp view**



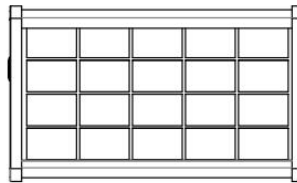
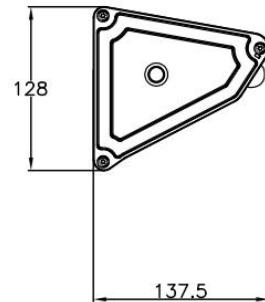
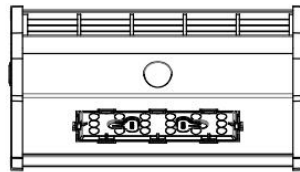
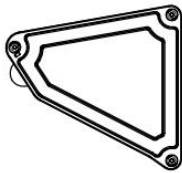
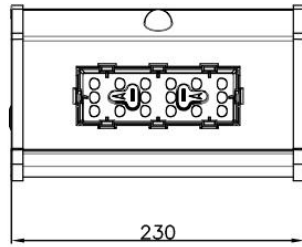
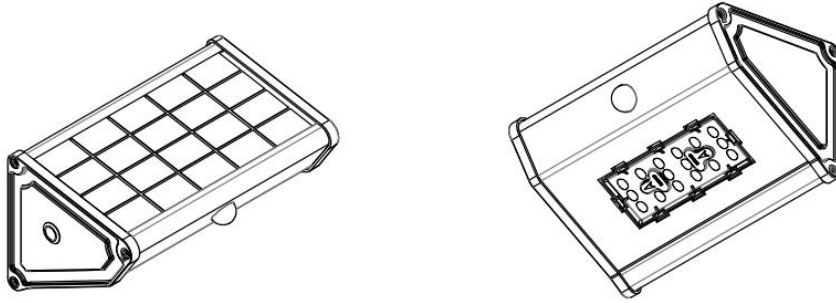
**Optional color**



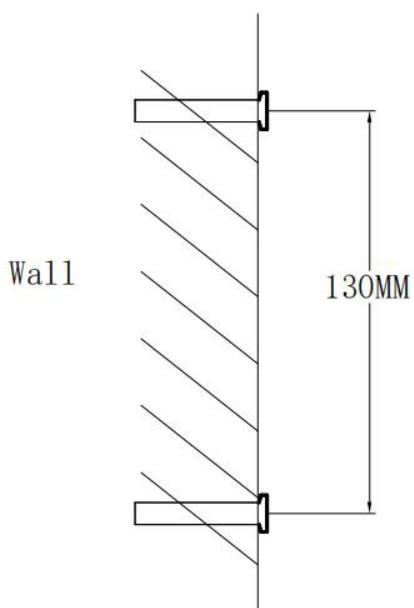
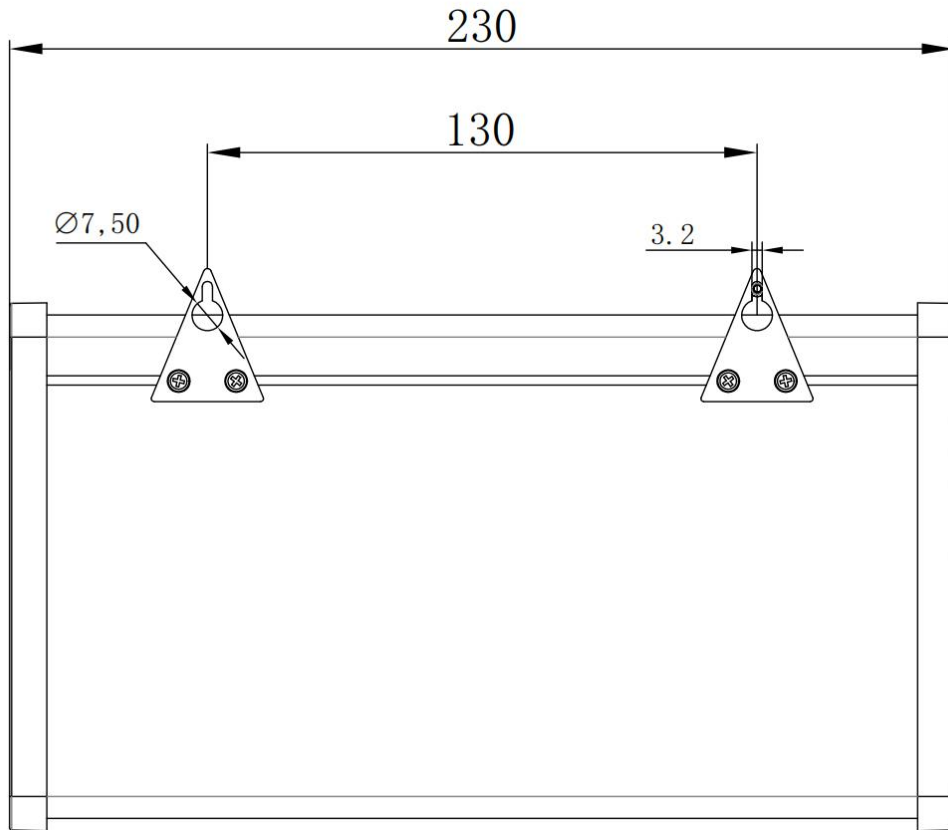
## Product features:

1. A New type of Solar wall light; the whole light is cast by Aluminum alloy, Solar panel、PIR +Microwave controller、Lithium battery ,High-brightness light source .
2. Human induction + microwave Controller :When people close to the light ,it will light up as 100% , after people left it will light up as 30%,using intelligent lighting control mode.
3. High lumen LED chips: Philips 3030 more than 110LM/watt.
4. With IP65 waterproof IP grade, can work in water in a short time.

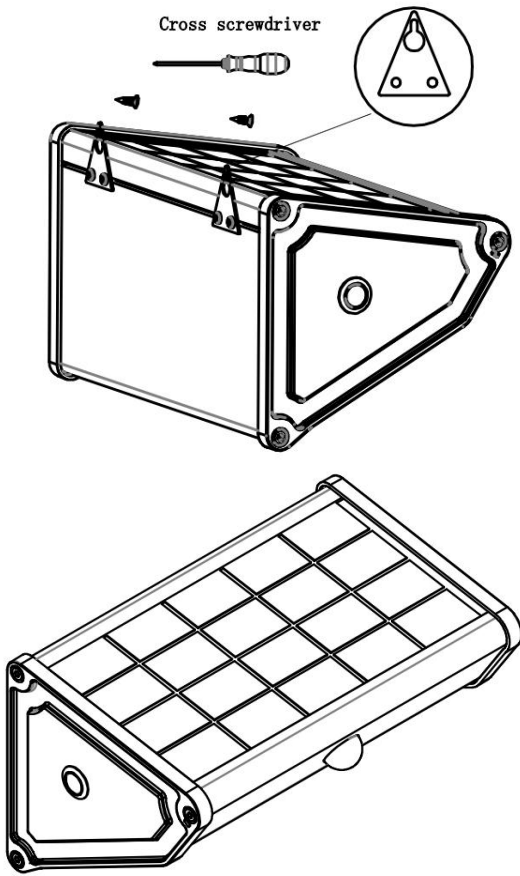
**Dimension (mm)**



**Installation method:**



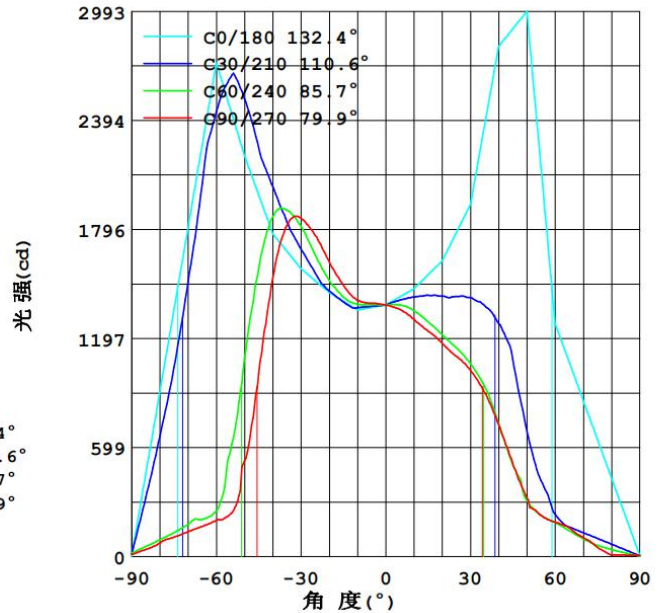
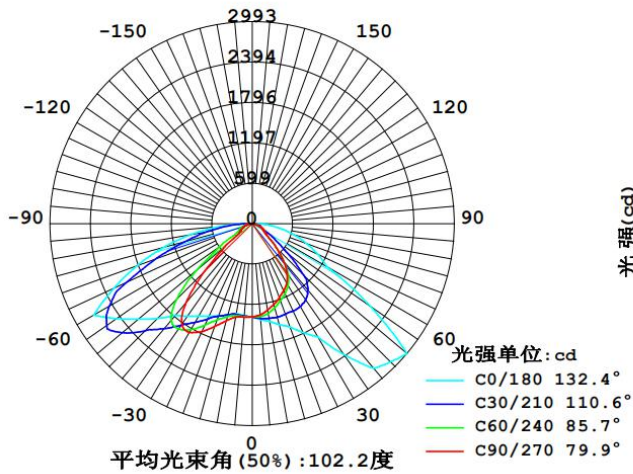
① Make two mounting holes for two galvanized expansion screws at the required position, and then Install two expansion screws.



② Install two self tapping screws into the expansion pipe on the wall with a cross screw driver, and keep 5mm for easy installation of wall lamp.

③ Place the card slot reserved on the back of the small wall lamp on the flat head back plate of the self tapping screw to make it stable, and then the installation can be completed.

## Light distribution:



## Parameters(DC)

LED power	10W
The input voltage	12V
LED type	Philips
Lighting mode	Light control
LED efficiency	>90%
Working environment	-40℃ - 60℃
IP Grade	IP65
Luminous flux	110lm/w
Color temperature	4000K-6000K
Connection mode	Waterproof plug
Package size	32*20*14cm
Lamp weight	1.47kgs
Warranty time	2 years

**Package Details:**



**Applicable place:**

