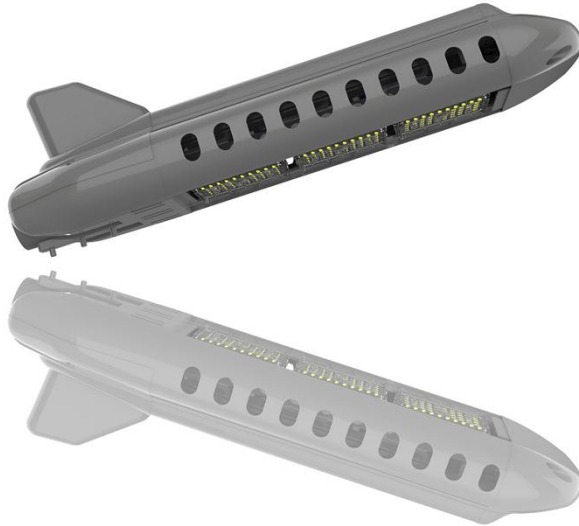


AIRPLANE-A

BSW-AC-FA-14



Lamp view



optioal color



Product features:

1. Streamlined appearance design, natural dust cleaning, no dust, clean lamps and lanterns.
2. Electrostatic spraying the surface, strong corrosion resistance, so that the lamp is more compact, durable.
3. Clip buckle type design, without the use of tools to open the lamp cover, the lamp installation and maintenance more convenient.
4. Power off protection characteristic, opening the case and power, provided security for the construction personnel maintenance.
5. Transverse ventilation design, ensure the LED uniform heat dissipation, improving the life of lamps.

Product description:

The good sink design of the housing solves the lamp drainage problem, the waterproof is up to IP67.

High-performance good quality MOSO driver with anti-surge device.

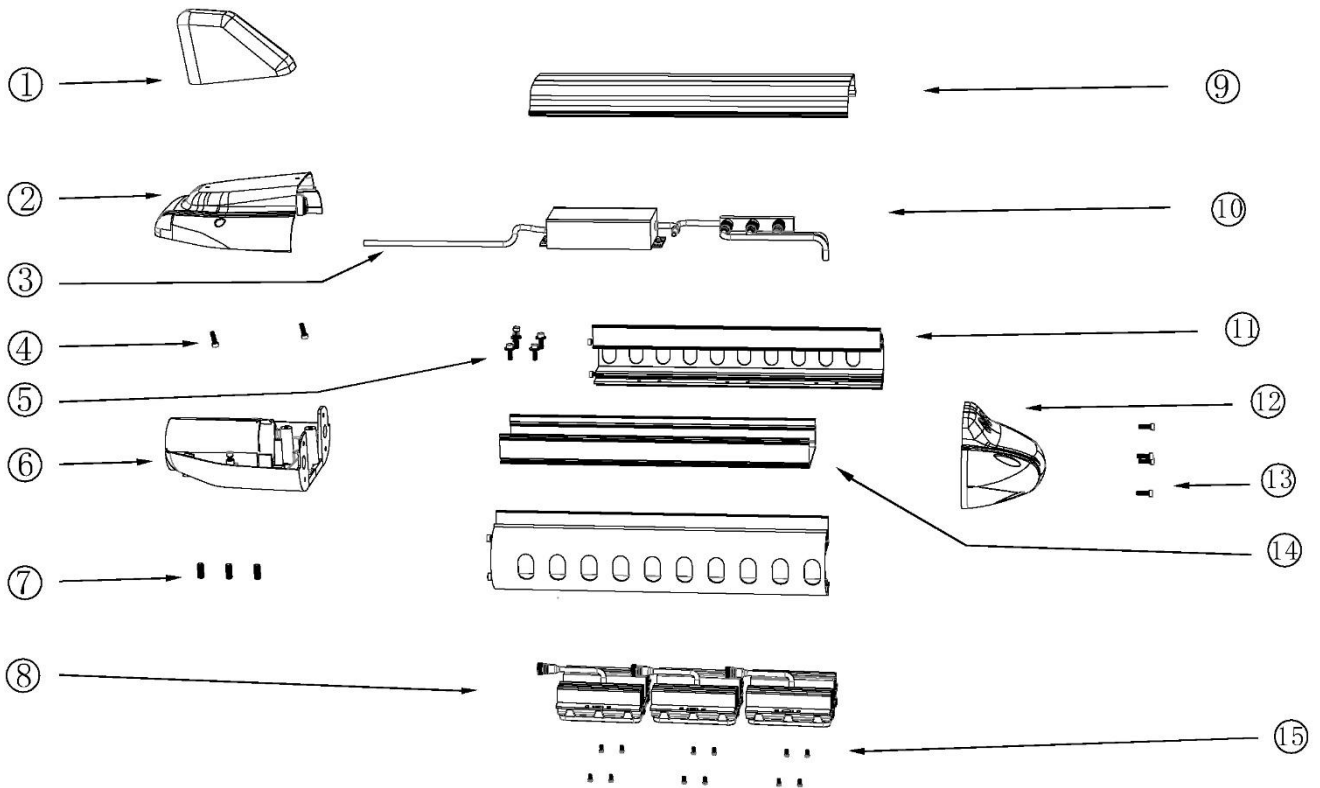
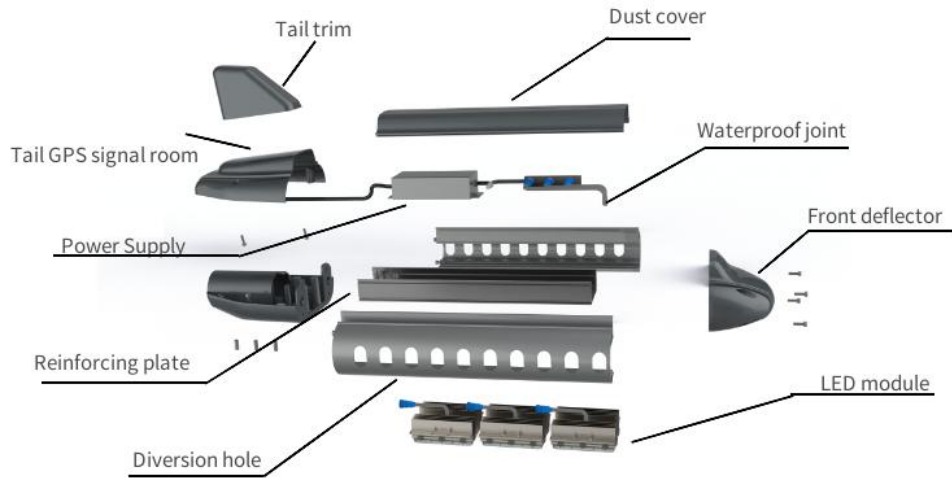
High brightness LED module. Unique air convection heat dissipation, overall aluminum anode treatment.

Simple installation, stable and firm, uniform stress area.

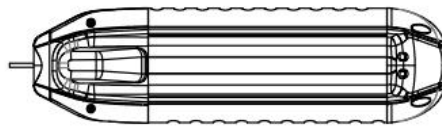
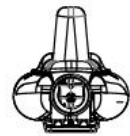
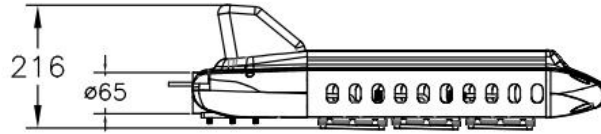
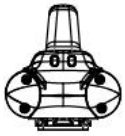
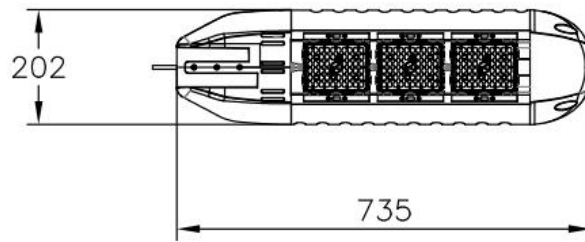
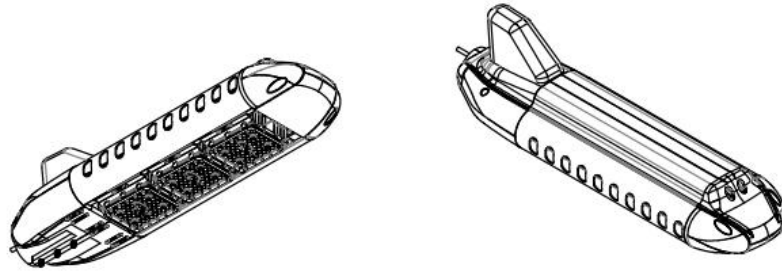
Zero distance contact heat dissipation, the first time to the surrounding conduction.

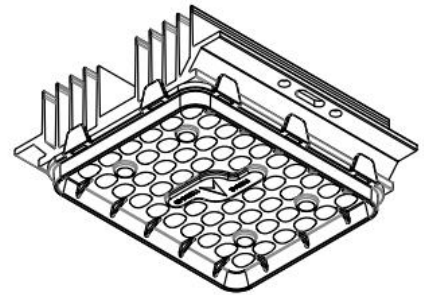
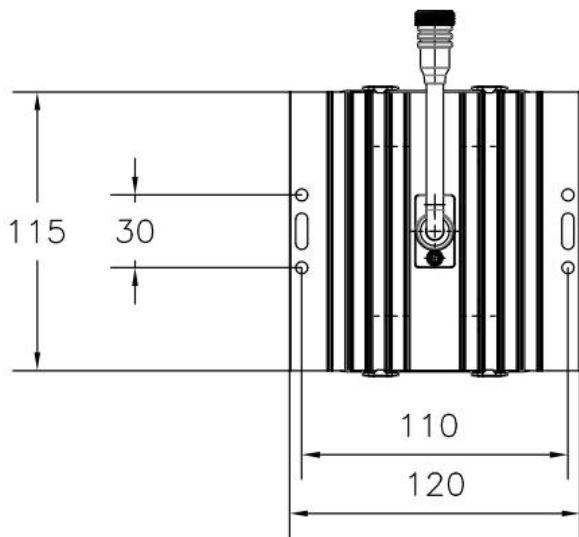
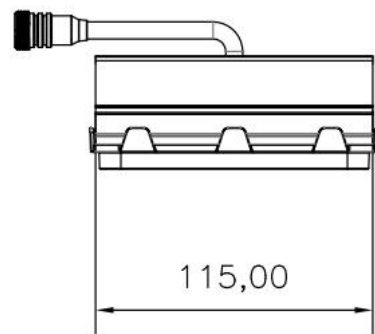
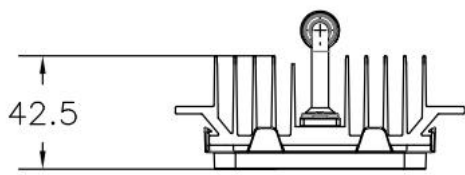
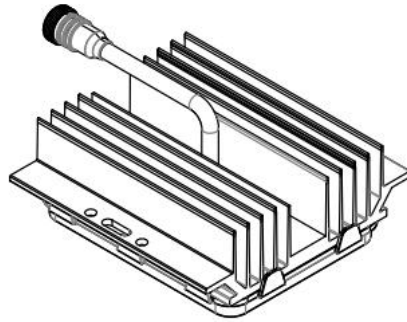
The highest waterproof level of the connector is up to IP68

Dimension (mm)

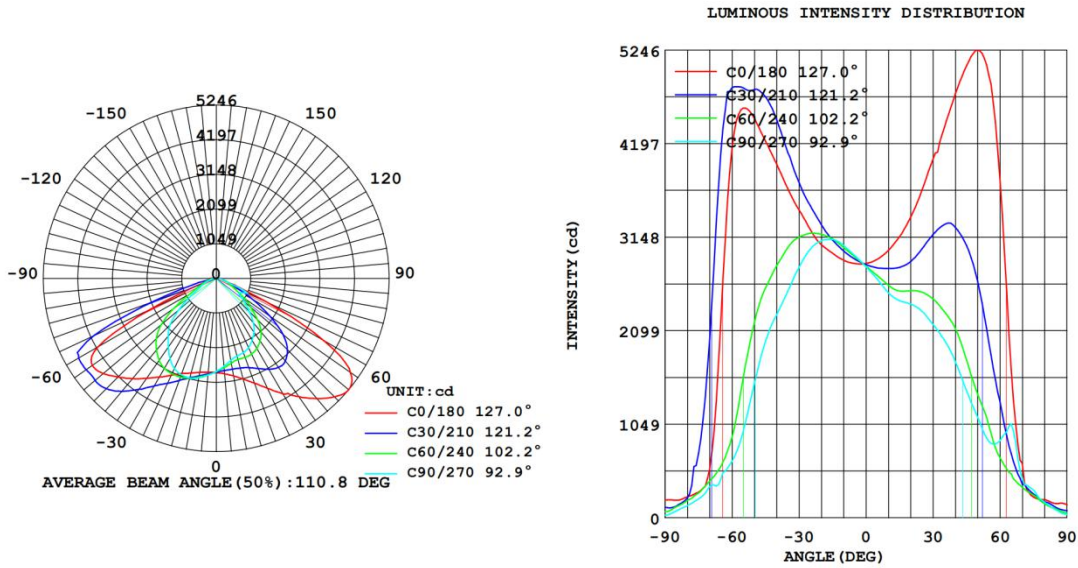


Serial number	Name	Number
1	Tail trim	1
2	Tail GPS signal room	1
3	Power Supply	1
4	M5 hexagon socket head screw (Nickel plating on M5 * 12mm iron)	2
5	M5 cross screw M5X12 flat head self tapping screw	4
6	Tail bottom cover	1
7	M8 headless screw	3
8	50W square module	3
9	Dust cover	1
10	One to three waterproof adapter	1
11	Aluminum profile guide holes on both sides	2
12	Front deflector	1
13	M5 hexagon socket head screw	4
14	Reinforcing plate	1
15	M4 cross screw	12





Light distribution:



Parameters (DC)

LED lamp power	40W	80W	120W	160W
LED type	Philips	Philips	Philips	Philips
Lighting mode	Driver	Driver	Driver	Driver
Light Luminous	130LM/W	130LM/W	130LM/W	130LM/W
LED efficiency	>90%	>90%	>90%	>90%
IP grade	IP65	IP65	IP65	IP65
LED lamp size	465*202*216mm	600*202*216mm	600*202*216mm	735*202*216mm
Lamp weight	3.8kgs	4.4kgs	5kgs	5.6kgs
Package size	54*28*25cm	68*28*25cm	68*28*25cm	79*28*25cm
Package weight	4.4kgs	5kgs	5.6kgs	6.2kgs
Warranty time	3 years	3 years	3 years	3 years

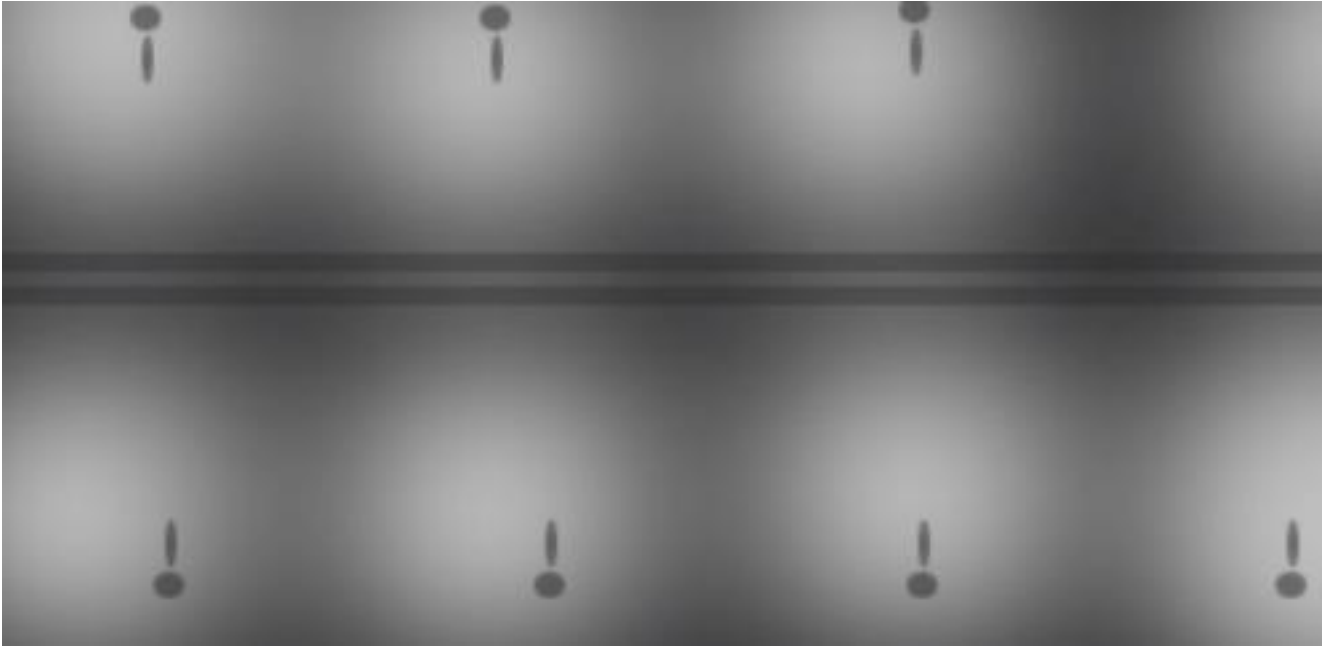
Parameters (AC)

LED lamp power	40W	80W	120W	160W
LED type	Philips	Philips	Philips	Philips
Lighting mode	Driver	Driver	Driver	Driver
Light Luminous	130LM/W	130LM/W	130LM/W	130LM/W
LED efficiency	>90%	>90%	>90%	>90%
IP grade	IP65	IP65	IP65	IP65
Input voltage	100-250V	100-250V	100-250V	100-250V
LED lamp size	465*202*216mm	600*202*216mm	600*202*216mm	735*202*216mm
Lamp weight	3.8kgs	4.4kgs	5kgs	5.6kgs
Package size	54*28*25cm	68*28*25cm	68*28*25cm	79*28*25cm
Package weight	4.4kgs	5kgs	5.6kgs	6.2kgs

Package Details



Light distribution diagram



Applicable place:

